

MANTEL MODEL

X5630-1CHR

X5630-1MAH

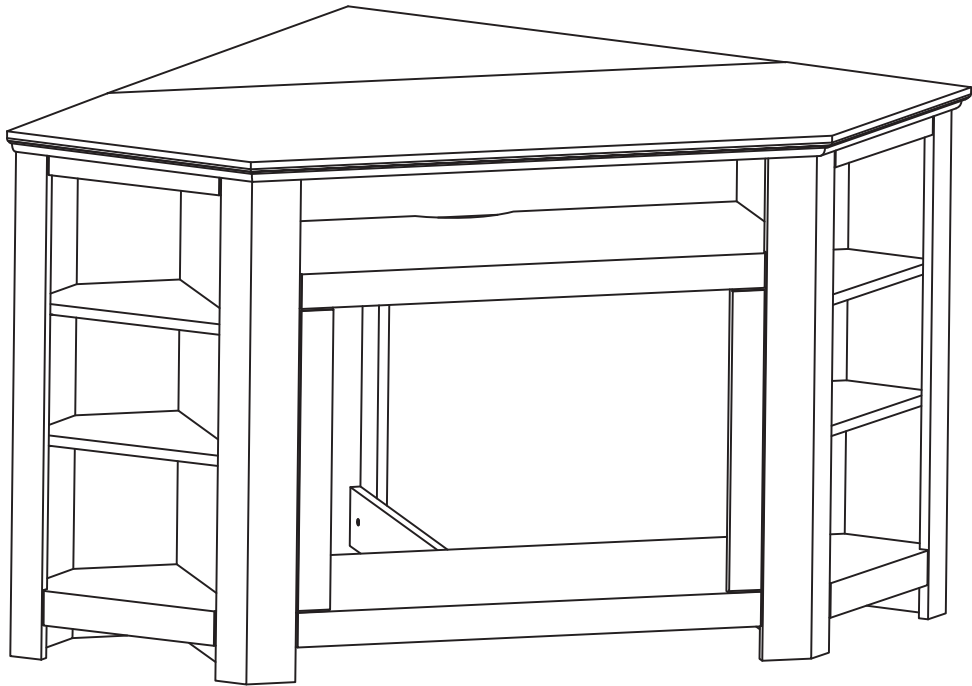
X5630-1TEK

X5630-1WHT

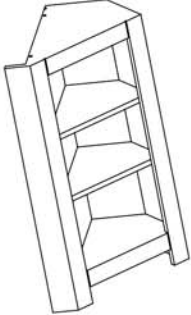
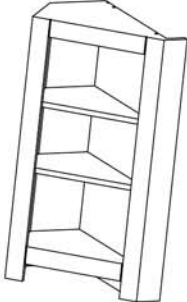
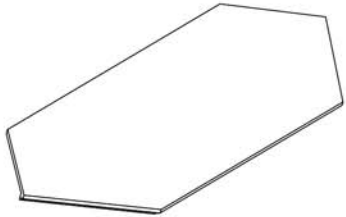

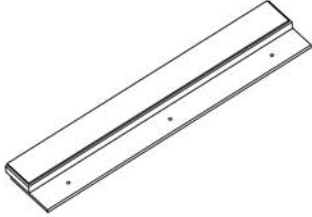

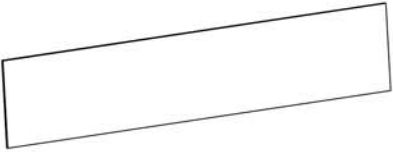
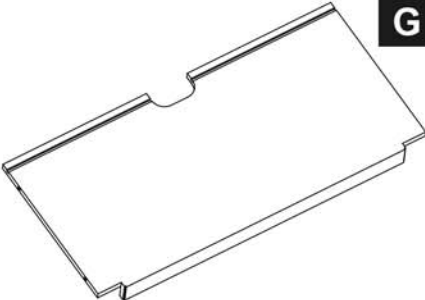
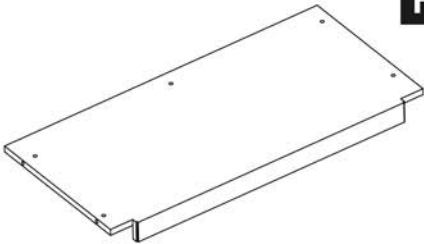
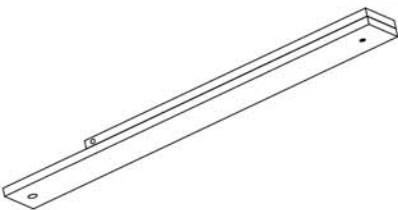
X5630-1BLK

X5630-1WAL

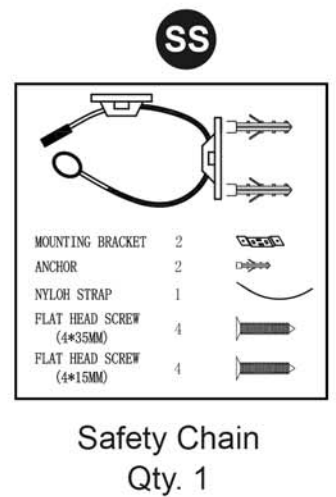
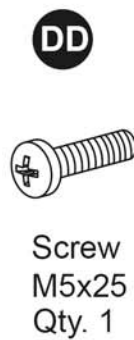
X5630-1GRY



PACKAGE CONTENTS

 <p>A</p>	 <p>B</p>	 <p>C</p>
 <p>D</p>	 <p>E1</p>	 <p>E2</p>
 <p>F</p>	 <p>G</p>	 <p>H</p>
 <p>I</p>		

HARDWARE CONTENTS



PACKAGE CONTENTS

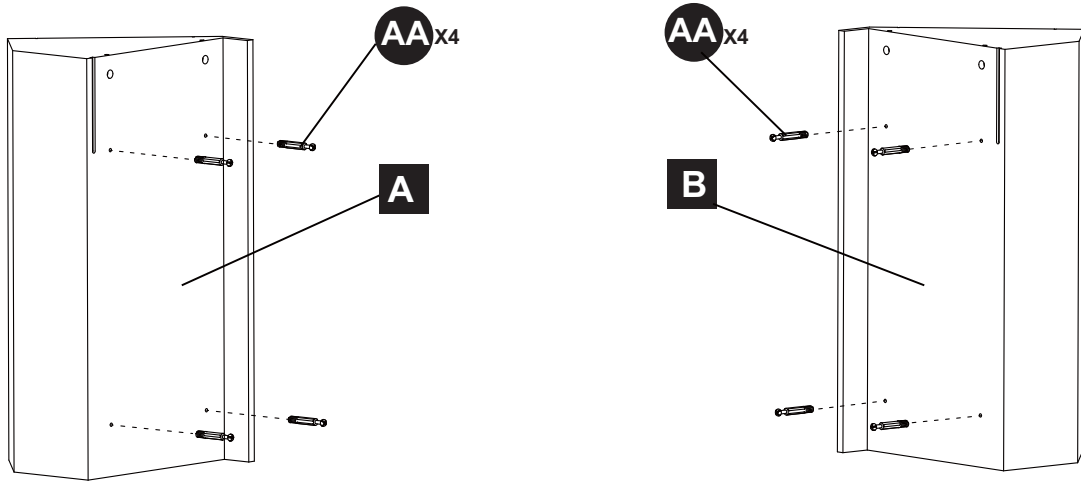
PART	DESCRIPTION	QTY.	PART NO.
A	Right Side Box	1	
B	Left Side Box	1	
C	Top Panel	1	
D	Triangle Panel	1	
E1	Trim Panel	1	
E2	Trim Panel	1	
F	Upper Back Panel	1	
G	Top Shelf	1	
H	Base Panel	1	
I	Bracket	1	
AA	Bolt	13	
BB	Metal Connector	13	
CC	Screw M4x16	6	
DD	Screw M5x25	1	
SS	Safety Chain	1	

Some parts and specifications may change without notice.

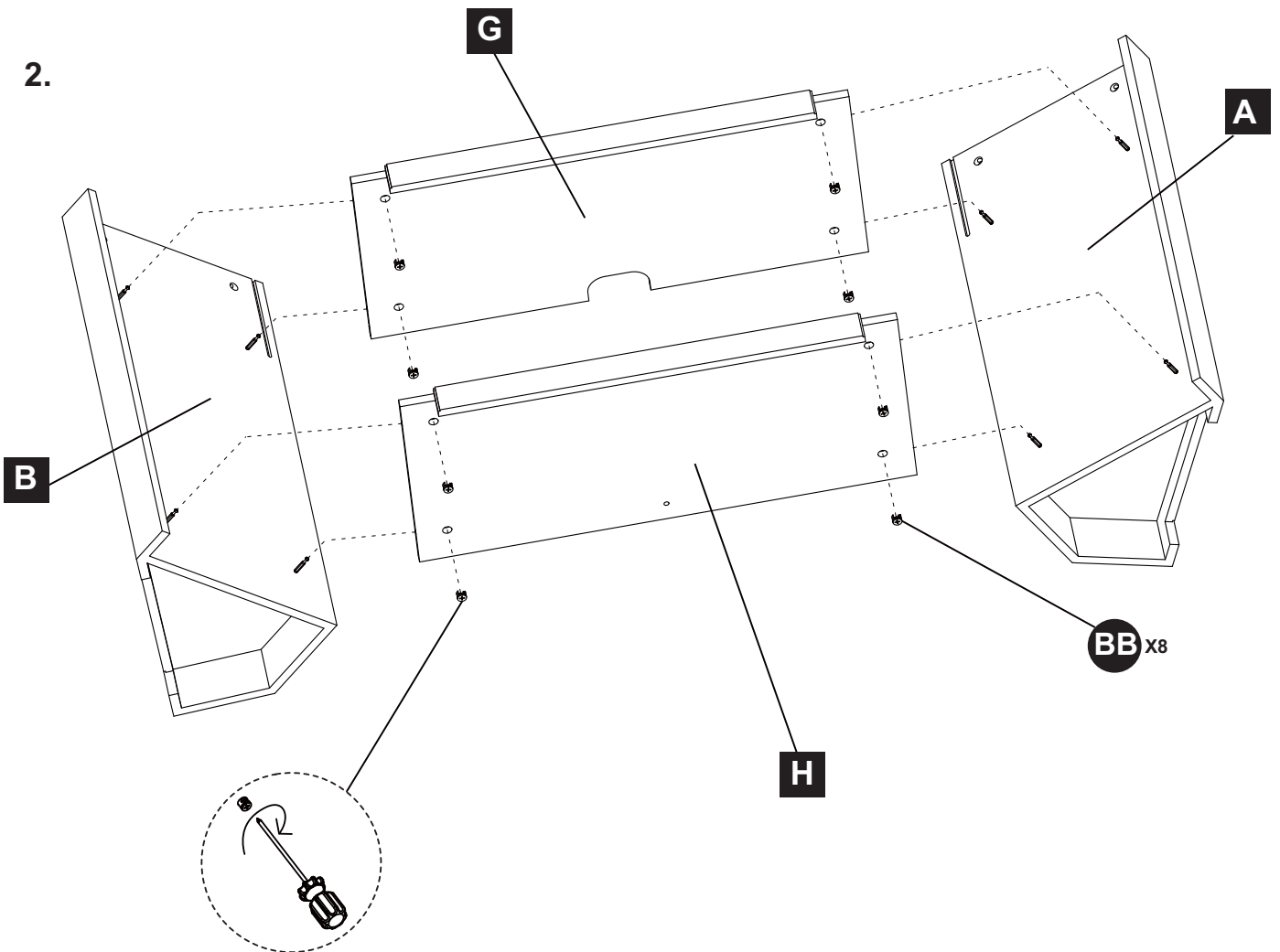
Carefully remove all pieces from the carton and make sure that you have all parts listed (refer to parts list on page 2-3).

PACKAGE STEPS

1.

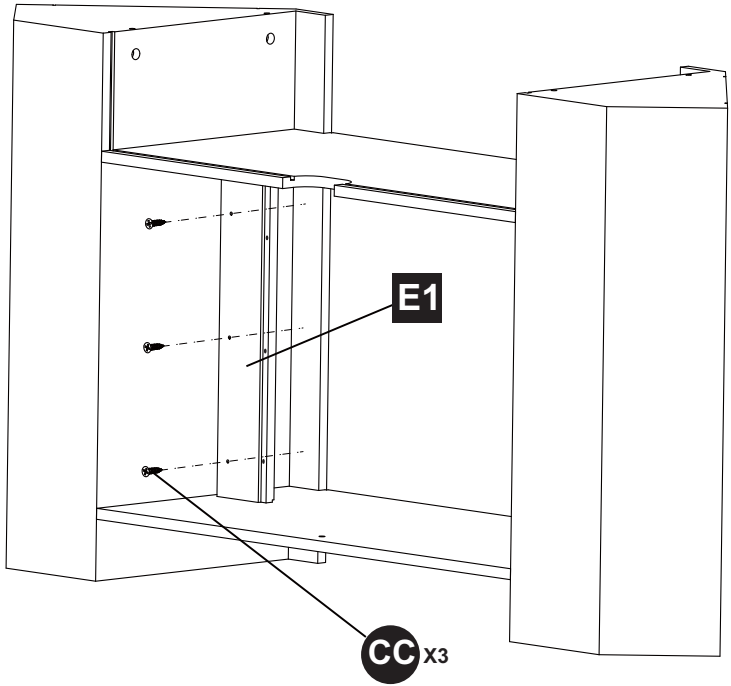


2.

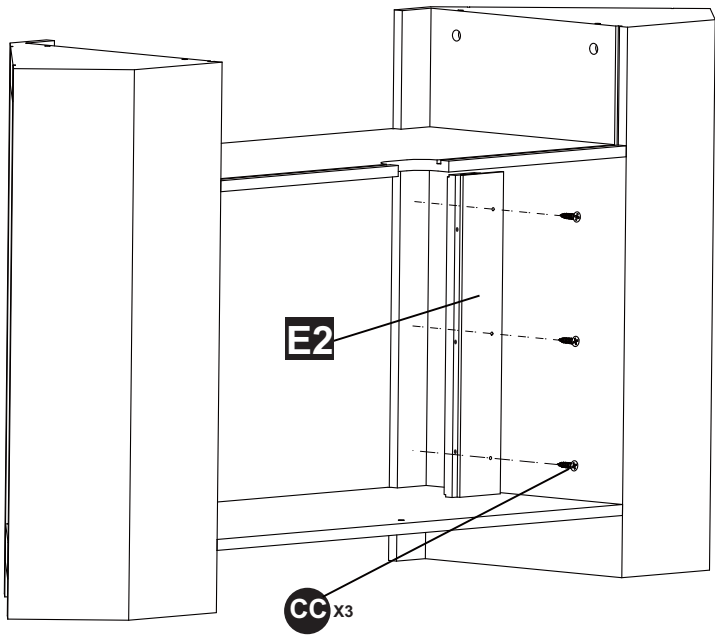


PACKAGE STEPS

3.

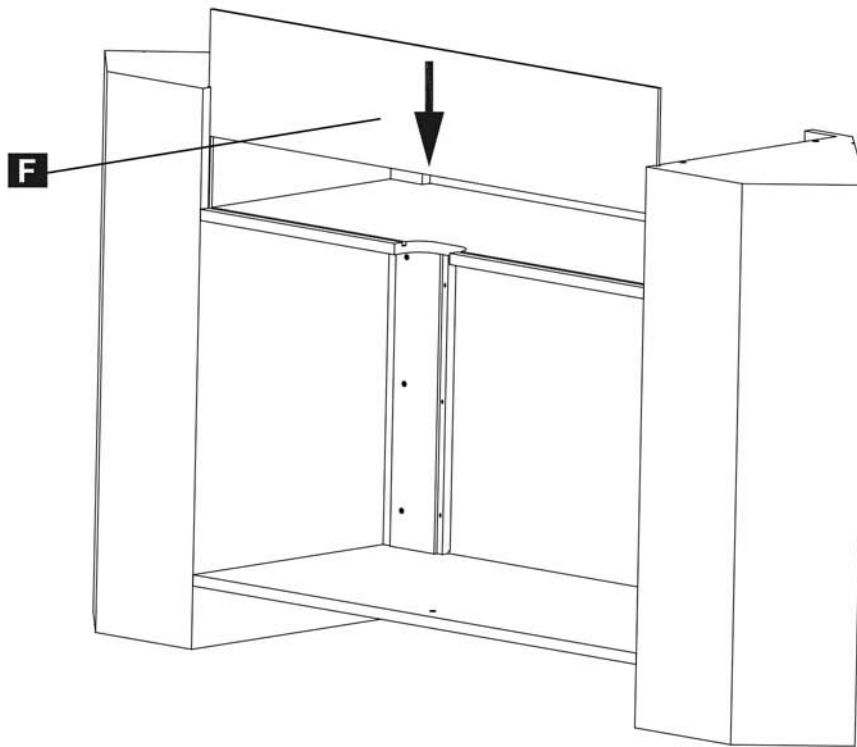


4.



PACKAGE STEPS

5.

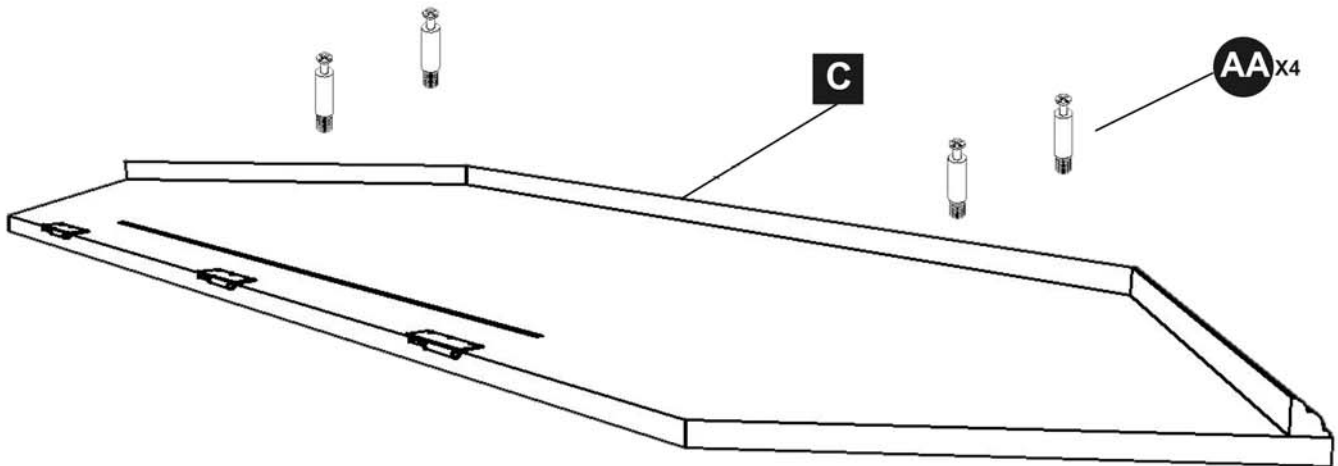


Notice:

A: If you do not need to place it in a corner, please follow step 6-7.

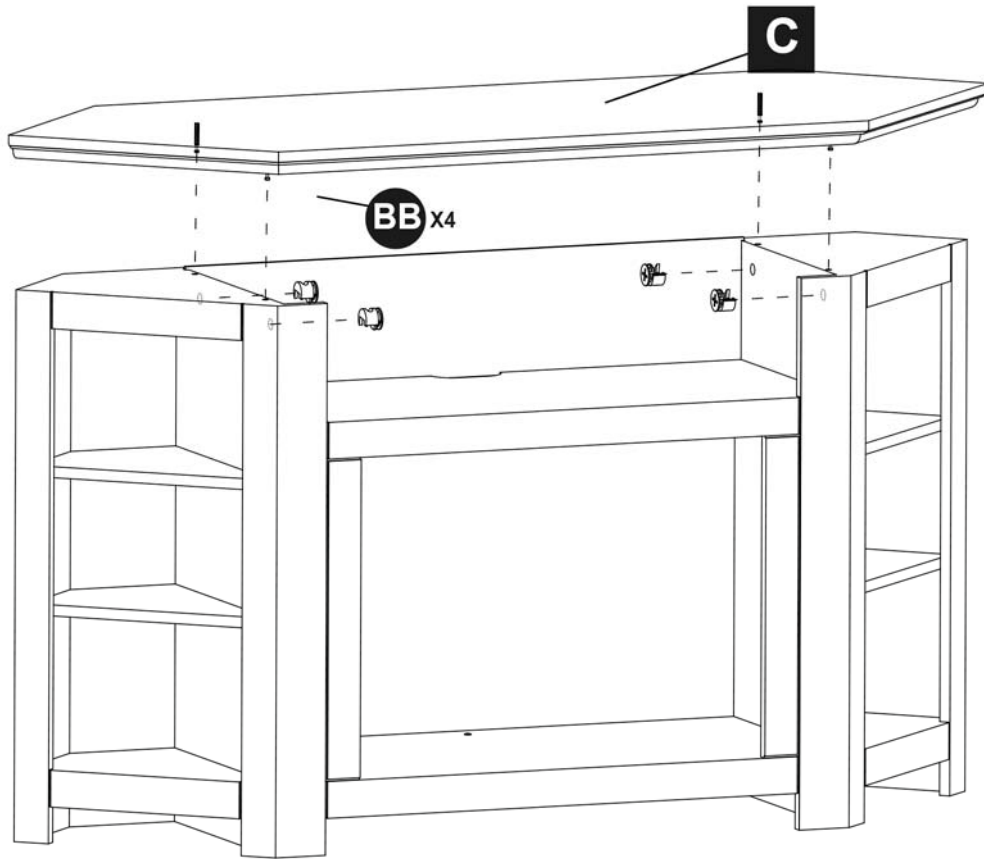
B: If you need to place it in a corner, please follow step 8-9.

6.

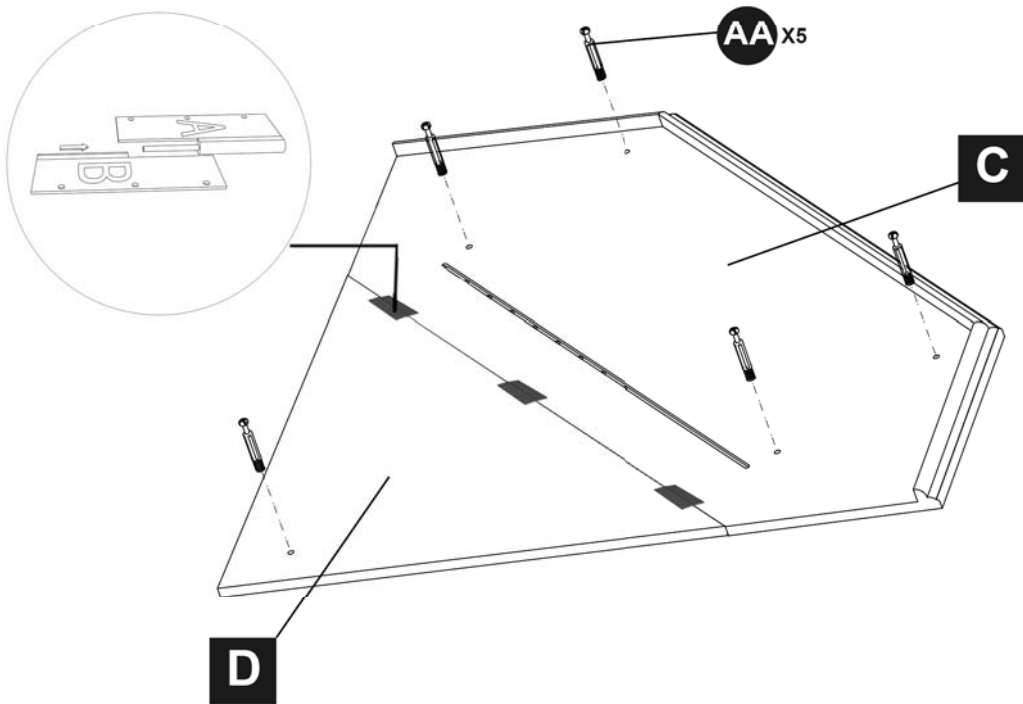


PACKAGE STEPS

7.

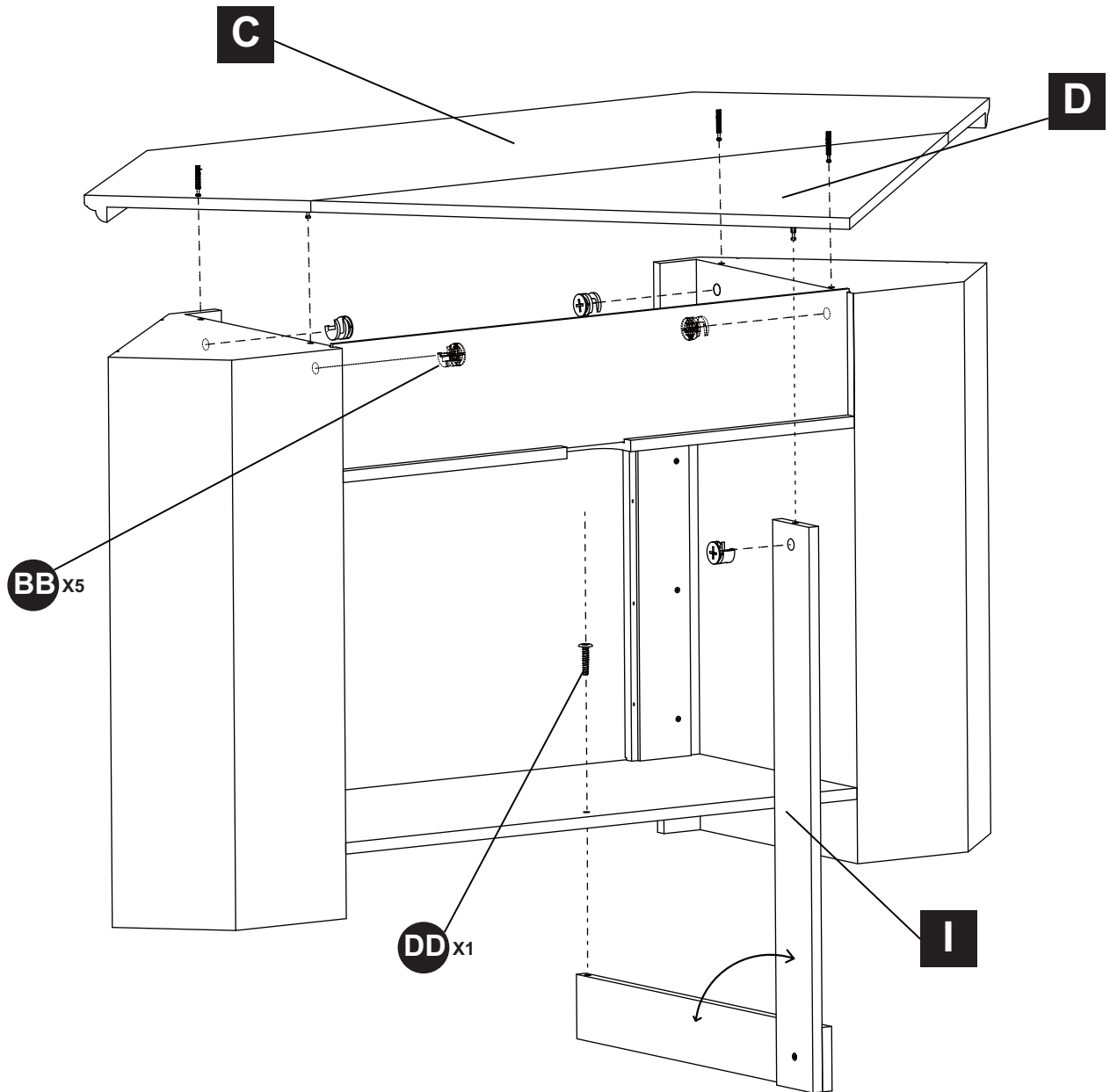


8.



PACKAGE STEPS

9.

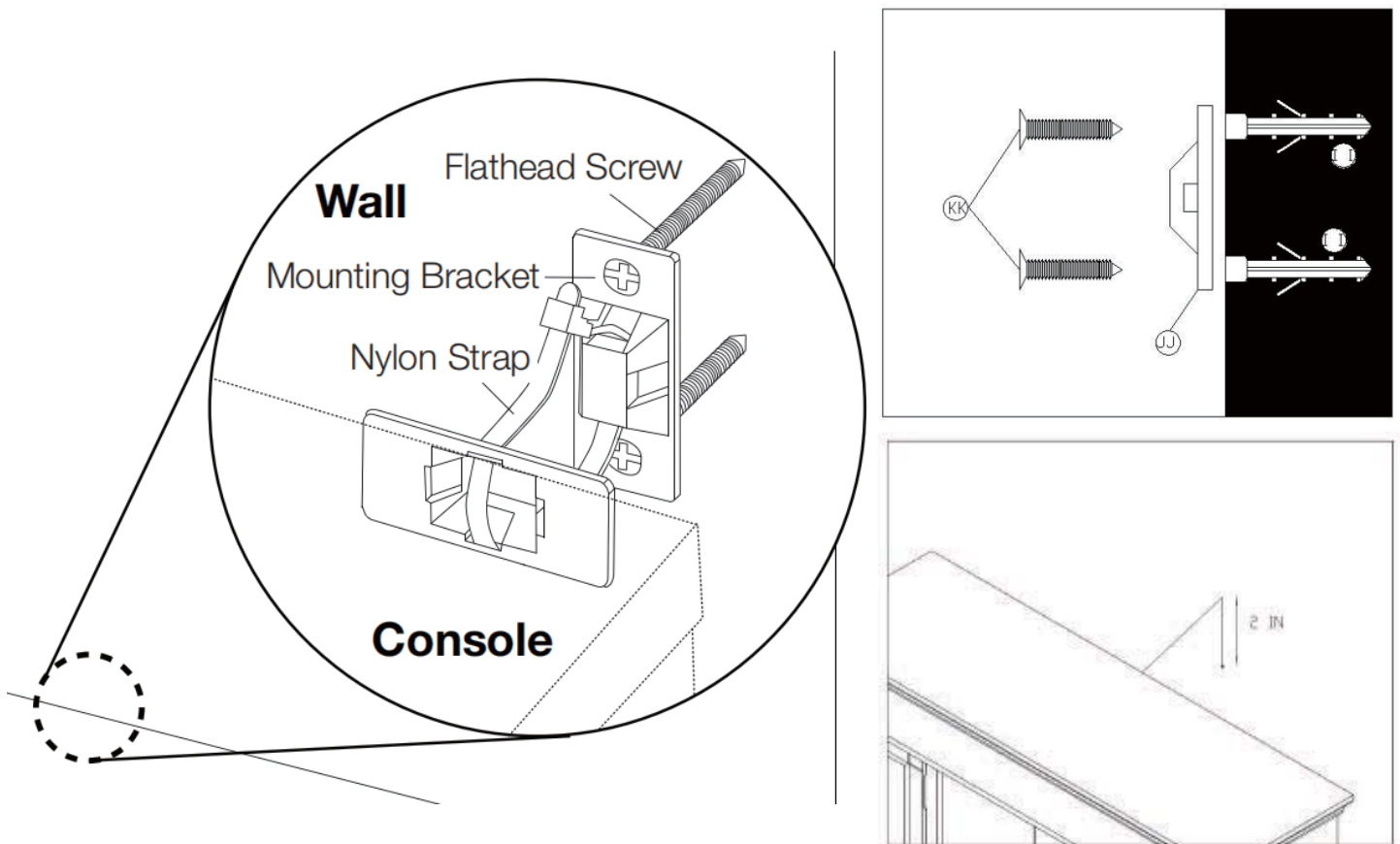


PACKAGE STEPS

IMPORTANT - Safety Chain Installation

WARNING:

This mantel is heavy furniture. Please be sure to correctly attach the safety chain to both the mantel and an adjacent wall. Failure to do so can cause serious injury or death.



INSTALLATION:

- Assemble the mantel and place it in position
- Attach one end of the chain to a wall stud using the screw included
- Attach the other screw – through a link in the chain – to the center of the mantel's top board (you may need to drill a small starter hole). Put the screw through the chain link that allows the least amount of slack in the chain.
- Carefully test that the installed chain adequately prevents tipping or tilting of the mantel.

NOTE: The chain must be as short as possible to prevent the mantel tipping forward. Do not allow slack in the chain.