

# HANOVER®

## Hanover Outdoor Furniture



### **IMPORTANT**

If you have any problems with this product (missing or damaged parts, assembly issues, etc.),

**PLEASE DO NOT RETURN TO THE RETAILER/STORE**

from where you purchased the product.

Please call our Toll-Free Customer Service Hotline at: **1-800-416-3511**

Between 9:00 AM and 5:00 PM Eastern Time, Monday through Friday

Or visit our website at: **[www.hanover-products.com](http://www.hanover-products.com)**

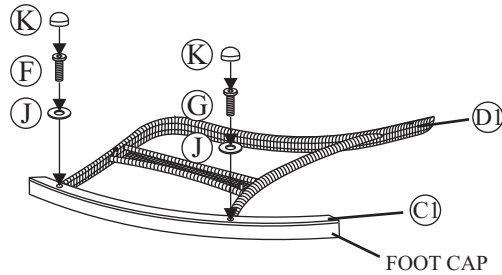
To expedite any future warranty claims, please retain the Instruction Sheet, Warranty Card and receipt for future use.

For additional on-line support on assembly, troubleshooting and care & maintenance of your outdoor furniture, please visit our website at: **[www.hanover-products.com](http://www.hanover-products.com)**.

**IMPORTANT!! PLEASE READ ENTIRE INSTRUCTION SHEET BEFORE ASSEMBLY!!  
TO EXPEDITE ANY FUTURE WARRANTY CLAIMS, PLEASE KEEP INSTRUCTION SHEET, WARRANTY CARD AND RECEIPT**

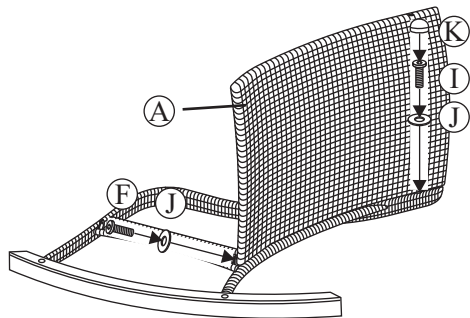
**Step 1:** Identify parts packed in carton against the parts list. Remove all protective materials and set parts on a flat, non-abrasive surface. If you are missing any parts or are unsure how to proceed with assembly, call our Customer Service Center at 1-800-416-3511. **Do not attempt to assemble table if any parts are missing or damaged.**

**Step 2:** Attach the left leg to the left bar by using a 1/4"x20 mm bolt and 1/4"x25 mm bolt as shown in **Figure 1**. Add a washer to each bolt. Guide the bolts through the holes in the left bar, into the pre-drilled holes in the left leg. **Hand tighten only.** Repeat for the right leg to the right bar.



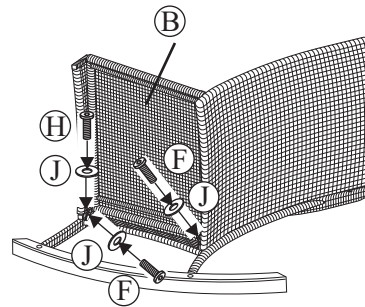
**Figure 1**

**Step 3:** Attach the back frame to the left leg by using a 1/4"x20 mm bolt and 1/4"x38 mm bolt as shown in **Figure 2**. Add a washer to each bolt. **Hand tighten only.**



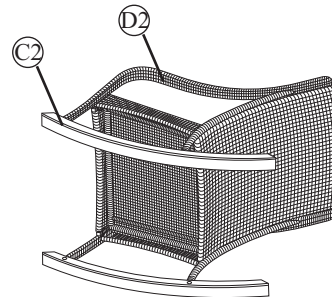
**Figure 2**

**Step 4:** Attach the seat frame to the left leg and back by using two 1/4"x20 mm bolts and a 1/4"x30 mm bolt as shown in **Figure 3**. Add a washer to each bolt. **Hand tighten only.**



**Figure 3**

**Step 5:** Repeat above process (Step2-Step4) for the right side.



**Figure 4**

**Step 6:** After making any necessary adjustments to the alignment of the table legs, table top, and the leg connector bracket, use the hex bolt driver to tighten all bolts. **Note:** each bolt must be tightened a few revolutions at a time. In order to apply equal pressure to all bolt joints, we recommend working in a cross corner (X) fashion. Repeat until all bolts are tight. **Do not over tighten.** Over tightening may strip bolts. Cover all bolts with covers provided.

**Step 7:** With the help of another person, turn the table in the upright position. Your table is now ready for use. If you have any questions, please call our Customer Service Center at 1-800-416-3511.

**IMPORTANT NOTE: Damage to welds or frames resulting from over tightened bolts or improper assembly is not covered under our warranty. Please read all instructions carefully before assembly. If you have any questions regarding your assembly, call our Customer Service Center at 1-800-416-3511.**

*\* NOTE: PARTS SHOWN ON PARTS LIST ARE NOT TO SCALE*

	<u>PARTS LIST</u>	<u>DESCRIPTION</u>	<u>ORDER PART #</u>	<u>QTY</u>
A		BACK FRAME		1
B		SEAT FRAME		1
C1		LEFT BAR		1
C2		RIGHT BAR		1
D1		LEFT ARM		1
D2		RIGHT ARM		1
E		HEX BOLT DRIVER	HW0006	1
F		1/4" X 20 MM BOLT	HW0036	8
G		1/4" X 25 MM BOLT	HW0037	2
H		1/4" X 30 MM BOLT	HW0038	2
I		1/4" X 38 MM BOLT	HW0344	2
J		Ø6.5 X 1.0 MM WASHER	HW0004	14
K		BOLT COVER	HW0105	6
		FOOT CAP FACTORY ASSEMBLY	FC0669	