

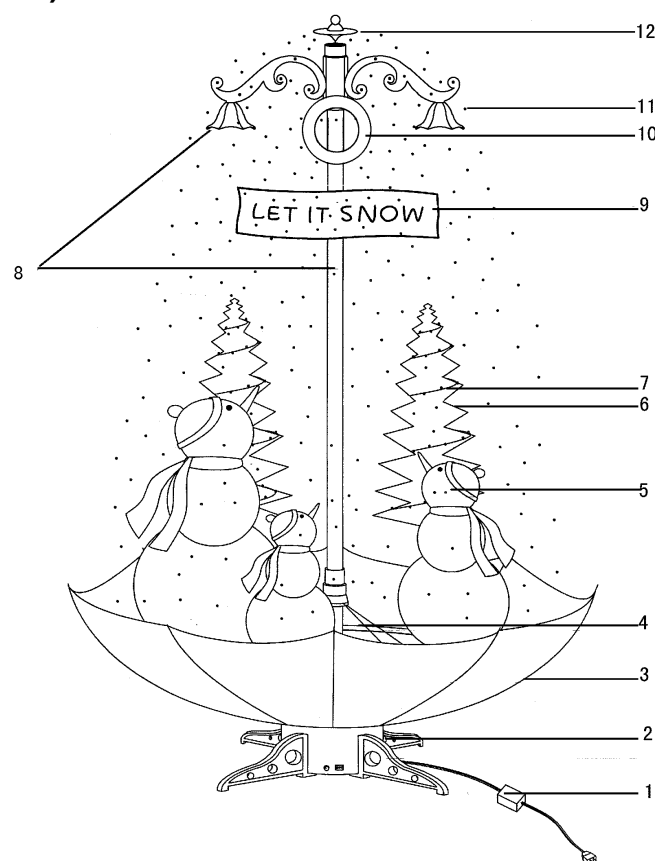
Special Caution

- The product is for indoor use only and is not suitable for outdoor or any location with drafts.
- Use caution with children under the age of 8. Children should keep a safe distance to avoid inhaling snow particles and possible suffocation.

1) List of parts

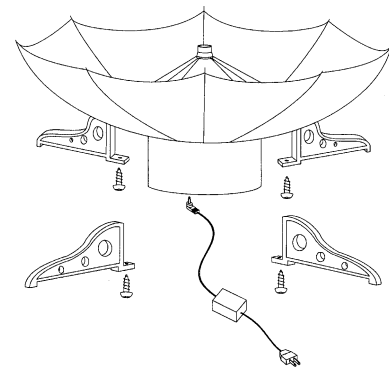
No.	Description	Quantity
1	Transformer	1 unit
2	Base support	1 set (4 pcs)
3	Umbrella-shaped base	1 set
4	Ring support	1 set (2 pcs)
5	Figures	1 set (3 pcs)
6	Christmas tree	2 trees
7	String	1 string(2 tips)
8	Street lamp (Combined type)	1 set
9	Brand	1 piece
10	Wreath	1 piece
11	Snow flakes	1 bag
12	Top	1 piece

2) Schematic



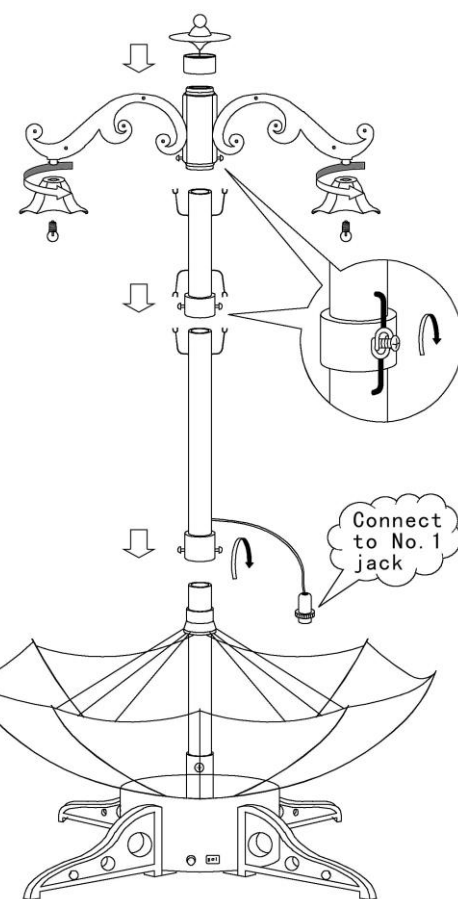
3) Installation

Install the base



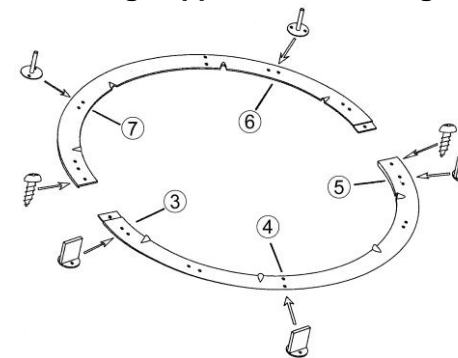
- Take out the umbrella-shaped base, base support, fixing screws and transformer.
- Fix the 4 base supports onto the base;
- Connect the transformer plug with the base socket;
- Unfold the umbrella-shaped base.

Install Street Lamp

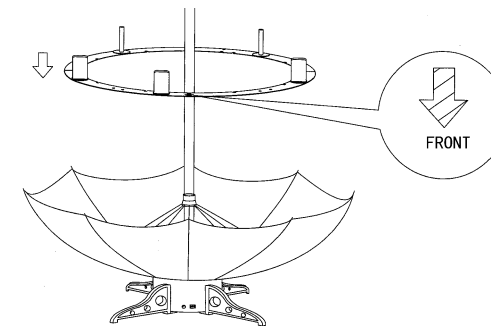


- Assemble the street lamp components as shown on schematic and insert the plug at bottom into No. 1 jack in its base. **Note:** (a) To ensure normal functioning of the street lamp after power on, good contact of connection wires between each street lamp tube section shall be ensured. (b) Tighten each screw so that each lamp tube forms a strong base of the product.

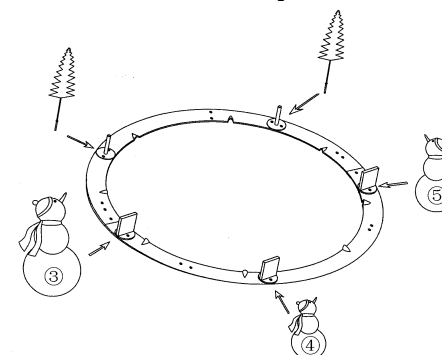
Fit ring support and its fittings



- Assemble the ring support with its fittings as illustrated. **Note:** Fit each item one by one to their serial No.

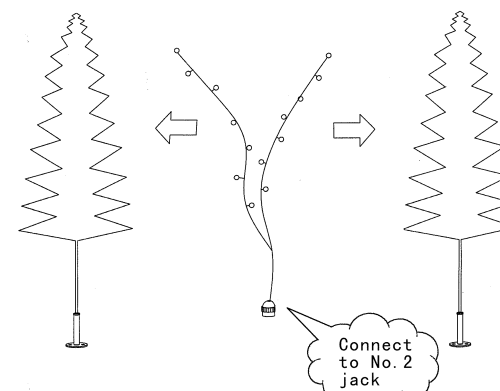


- Put ring support on umbrella support in the direction as indicated by ↓



- Mount the figures and Christmas trees one by one onto the ring support as illustrated.

Arrange the Christmas tree and fit the lamp.

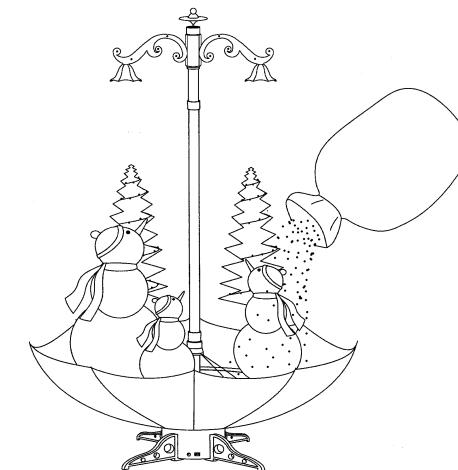


- Straighten up branches of the 2 Christmas trees as illustrated.
- Insert the plug of Christmas tree into No. 2 jack in the base and decorate both light strings on Christmas trees respectively.

4) Check

- Confirm again all the above have been completed;
- Clean off all foreign matter in the snow container, to avoid them blocking the flow of snow flakes;
- Set the switch at OFF and connect the transformer with power source;
- Functional test: Put a small amount of snow flakes at the bottom of the snow container, and turn on the switch to observe if flakes spout out from the top of the tree. Music and lamps should be properly functioning. If there are any issues, check the contact of wiring and try it again until all functions are resolved.

5) Pour in the flakes



- Turn off the switch. Evenly distribute the snowflakes into the umbrella shaped base. It is suggested to keep an appropriate amount of snowflakes aside, for when some fall out.

6) Completion of assembling

- Fit wreath and brand.
- Turn on the switch, you will see snow flakes spouting from the top of the tree, the lamps flashing and music starting. Now all assembling has been completed.

7) Adjust and enjoy



- Adjust the wind switch to get appropriate wind for best snow flying effect, and also avoid flakes flying out of the container.

on off on



- Music can be controlled by the switch and can be turned off when not needed:
 - I –Music turned off and other functions are normal;
 - II—Music turned on and all functions are normal.